

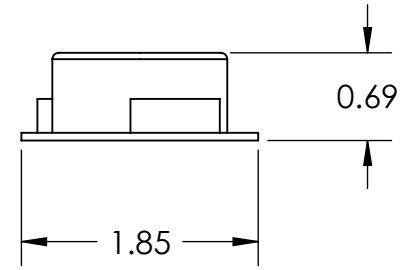
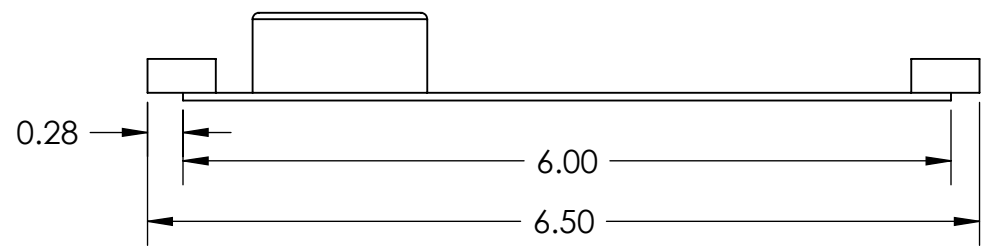
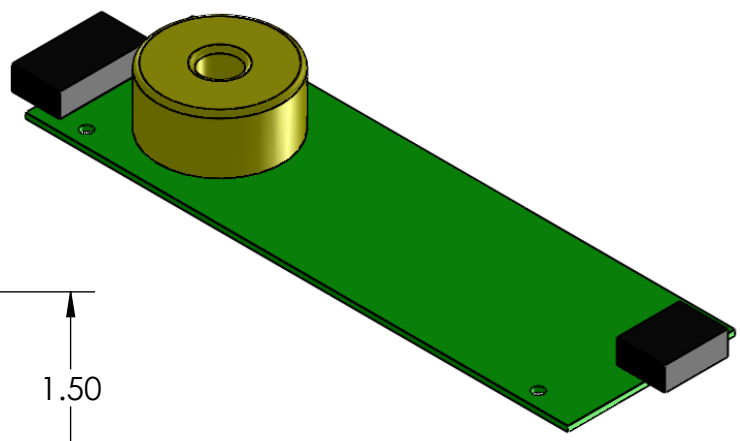
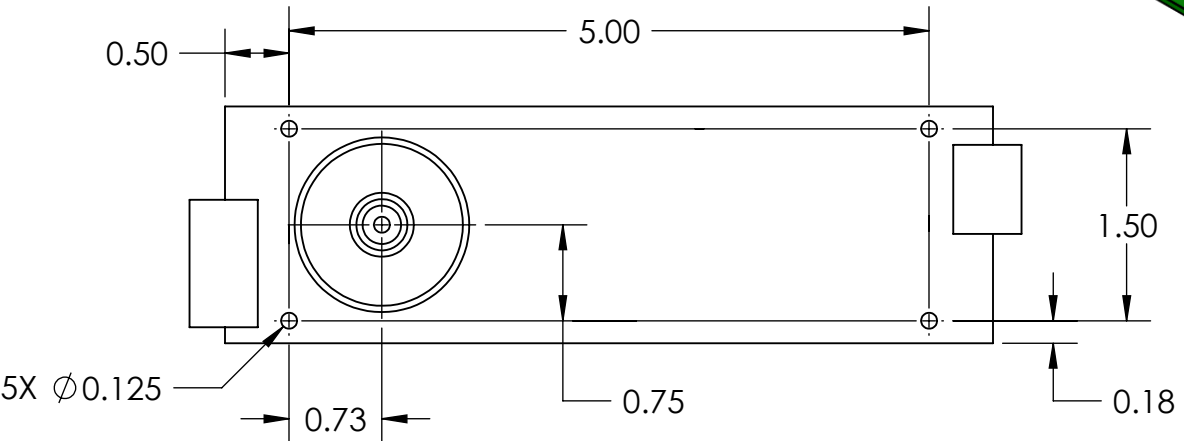
8 7 6 5 4 3 2 1

D D

C C

B B

A A



UNLESS OTHERWISE SPECIFIED:		NAME	DATE	Neil Brown Ocean Sensors, Inc.	
DIMENSIONS ARE IN INCHES		DESIGN		TITLE:	
TOLERANCES:		CHECKED		NBOSI ELECTRONICS BOARD	
FRACTIONAL ± 1/16					
ANGULAR ± 0.5		PROPRIETARY AND CONFIDENTIAL		SIZE	DWG. NO.
DECIMAL: .XX ± 0.01		THE INFORMATION CONTAINED IN THIS		A	-
.XXX ± 0.005		DRAWING IS THE SOLE PROPERTY OF			
MATERIAL		NEIL BROWN OCEAN SENSORS, INC.		SCALE: 1:2	
FINISH		ANY REPRODUCTION IN PART OR AS A		WEIGHT:	
DO NOT SCALE DRAWING		WHOLE WITHOUT THE WRITTEN		SHEET 1 OF 1	
		PERMISSION OF NEIL BROWN OCEAN			
		SENSORS, INC. IS PROHIBITED.			

8 7 6 5 4 3 2 1